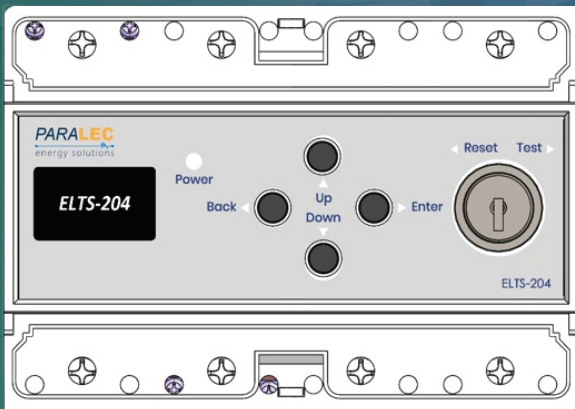
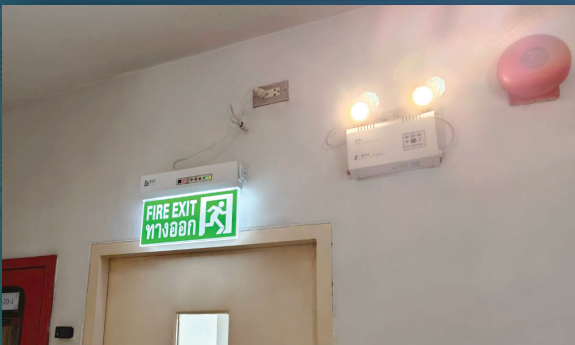


ELTS

ELTS-204

Emergency Lighting Testing Switch












The **Emergency Lighting Test Switch**, ELTS, is intended for testing single phase circuit for emergency lighting according to **AS/NZS 2293.1:2018**.

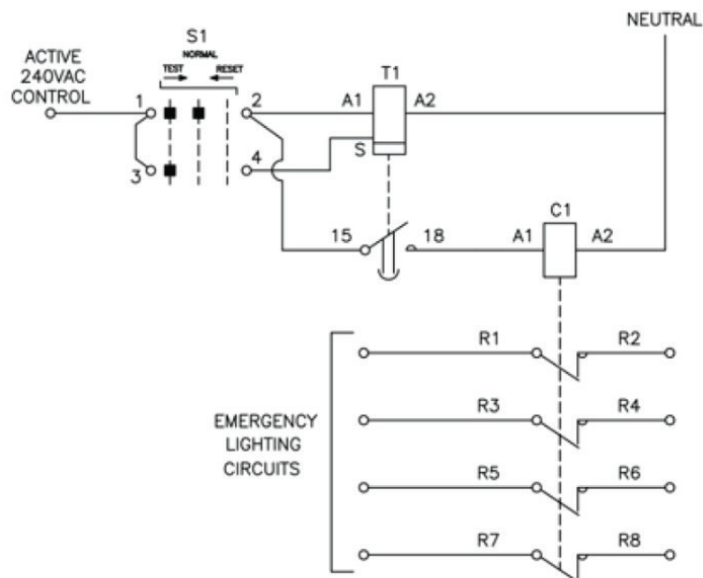
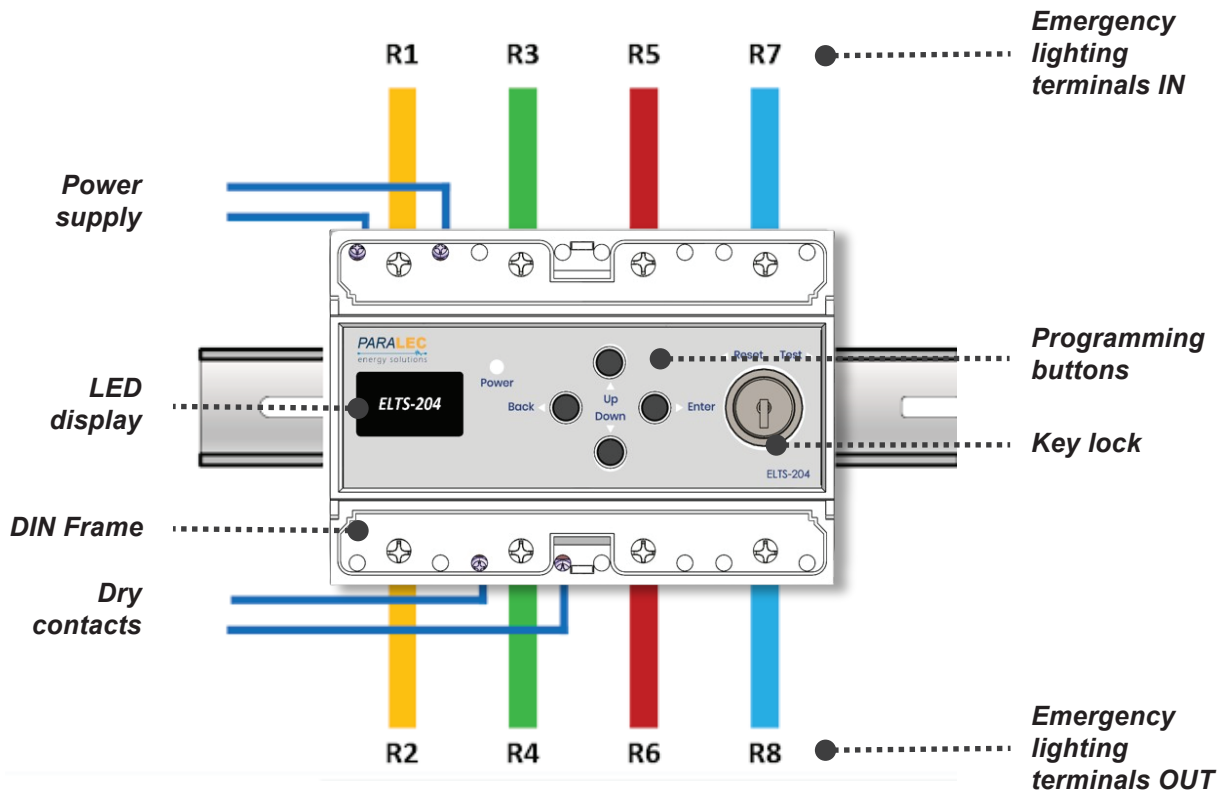
The ELTS is normally closed, allowing the full supply to emergency lighting circuits up to **20A per circuits** in absence of test.

On a periodical basis, in accordance to the norm, the **ELTS enables the operator, through a key lock or a code lock, to operate the ELTS and cut off the power for a duration either preset (60, 90 or 120mins) or programmable through the front panel buttons.**

An OLED display allow count down as well as advance sequential programming. Statistics of operation are also available within the unit.

The ELTS allows the command of an external contactor through a dry output contact up to **5A 30 VDC or 220VAC**. For optimal safety the ELTS is power supplied by an external power supply, single phase 230VAC.

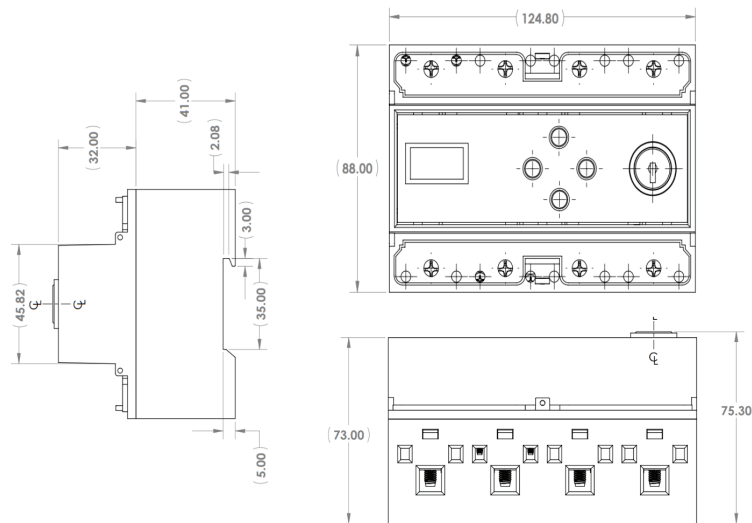
-  **Designed for periodic testing of emergency lightning circuits**
-  **LED display count down timer**
-  **4 single phase 20A circuits**
-  **Conform to AS/NZS 2293.1:2018 Emergency lighting and exit signs for buildings**
-  **Dry output contacts up to 5A for external contactor command**
-  **Operation counter**
-  **Conform to IEC 61812-1:2022 Time relays and coupling relays for industrial and residential use**
-  **Key lock or code lock operations**
-  **60, 90, 120 mins and programmable timer**



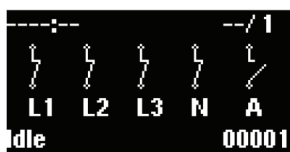
S1 - 3 POSITION SPRING RETURN SELECTOR SWITCH
 T1 - SIGNAL START DELAY OFF TIMER
 C1 - 4 N/C CONTACTOR

DESCRIPTION	DETAILS / REQUIREMENT
IDENTIFICATION	
MODEL NAME	ELTS-204
PART NUMBER	1121111121
PRODUCT FULL DESCRIPTION	Emergency Lighting Test Switch 20A 4-circuit single phase, 220-240VAC, equipped with OLED display and buttons, Key switch-operated DIN mount all-in-one unit with N/O contact for external contactor relay control
POWER SUPPLY / INPUT	
SUPPLY VOLTAGE	100-240 VAC
FREQUENCY	50Hz
MAXIMUM POWER CONSUMPTION	10W
WIRING	1.5mm ² to 2.5mm ² , Solid or stranded, Single-wire
EMERGENCY LIGHTING CIRCUITS / OUTPUT	
RATED OPERATING CURRENT	20A
RATED OPERATING VOLTAGE	100-240VAC
FREQUENCY	50Hz
LOAD TYPE	AC140, emergency lighting
NUMBER OF CIRCUITS	4, single-phase
NUMBER OF CYCLE OF ELECTRICAL ENDURANCE	1000
FREQUENCY OF OPERATIONS	12 cycles per hour
NUMBER OF CYCLES FOR MECHANICAL ENDURANCE OF AN ELECTROMAGNETIC OUTPUT CIRCUIT	10,000 operations
ELECTROMECHANICAL CONTACT	Copper tin plated
WIRING	4mm ² to 10mm ² Solid or Stranded Single-wire
TYPE AND RATING OF SHORT-CIRCUIT PROTECTIVE DEVICE (SCPD)	Circuit breaker: current limiting breaker 20A, ABB S201C20 (or equivalent) Fuse: 20A aM fuse
DRY CONTACT OUTPUT	
EXTERNAL CONTACTOR RELAY - MAXIMAL LOAD	NO contact 5A 30VDC, 5A 250VAC
WIRING	1.5mm ² to 2.5mm ² , Solid or stranded, Single-wire
EXTERNAL CONTACTOR RELAY - TYPE	Non-latching
MECHANICAL	
MECHANICAL FRAME	DIN 1
DIMENSIONS	50Hz
NET WEIGHT	10W
ENCLOSURE	1.5mm ² to 2.5mm ² , Solid or stranded, Single-wire
IP RATING	IP20
MOUNTING TYPE	DIN rail 35mm
DISPLAY & SETTINGS	
DISPLAY	0.96" OLED display (128x64 px)
TIMER FUNCTION	1s to 99,999s (27hr) (Discrete) 60, 90 & 120mins (Pre-set)
KEY OPERATOR	2-position spring-return to centre
PASSWORD PROTECTION	Yes
ENVIRONMENT	
AMBIENT TEMPERATURE	0 to 40°C
STORAGE TEMPERATURE	0 to 40°C, 60% relative humidity
DEGREE OF POLLUTION	8

Dimensions



LED display



Stand by



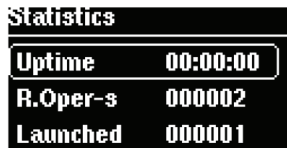
Menu



Timer selection



Count down



Statistics



PIN

Ordering code

Part Number : 112111121



PARALEC ENERGY CO., LTD.

Europe
Le Mathis, 204 avenue de Colmar, 67100 Strasbourg
FRANCE
TEL : +33 7 85 71 90 63

www.paralec.com
www.surge-lightning-arrester-monitoring.com

Asia
1000/5-6 Liberty Plaza, 20th Floor, Soi.Thonglor,
Sukhumvit 55 Rd., Kongtun Nua, Wattana, Bangkok
THAILAND
TEL : +66 (0)2 381 5886

Email : info@paralec.com
LINE : @paralec